



## MODULAR LINE SCAN LIGHTING

Compatible with the TPL-CONTROL-1



### VARIOUS COLOURS

|     |     |     |     |
|-----|-----|-----|-----|
| WHI | 525 | 630 | 850 |
| 365 | 385 | 405 | 470 |

ELINE COLLIMATED

ELINE FOCUSED

ELINE BACKLIGHT

- HIGH POWER LIGHTING
- 3 INTERCHANGEABLE VERSIONS
- ROBUST MECHANICAL DESIGN
- ANGLE CHANGERS FLEXIBILITY
- OPTIMISED HEATSINK DESIGN FOR CONTINUOUS AND STROBING APPLICATIONS

### EXTERNAL CONTROL REQUIRED



TPL-CONTROL-1

- CURRENTS OF UP TO 20A per channel
- FLEXIBILITY & SCALABILITY through modular design
- UP TO 16 CHANNELS  
1 Master & 15 Slave units
- EASY CONFIGURATION via integrated website



TPL VISION IS AN **ISO 9001** CERTIFIED MANUFACTURER.



## FEATURES OVERVIEW

3 VERSIONS

- COLLIMATED
- FOCUSED
- BACKLIGHT

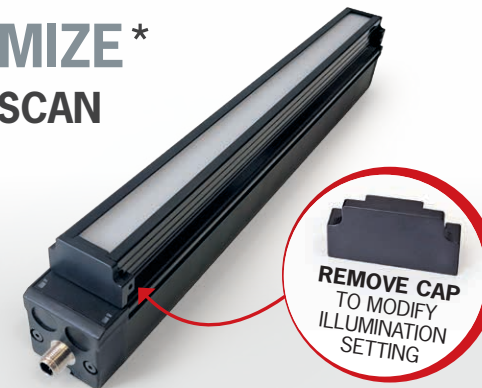
ROBUST,  
ANODIZED  
ALUMINIUM  
HOUSING

T-SLOT  
MOUNTING

From 125 mm  
to 1000 mm

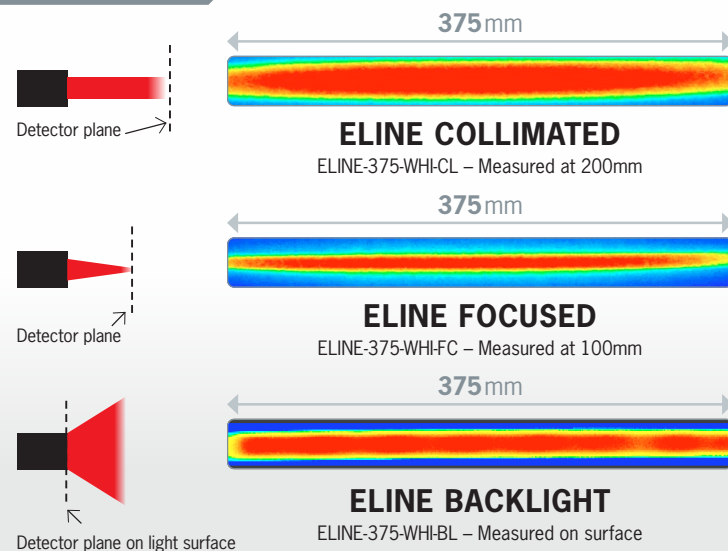
M12 CONNECTOR  
M12 4 pin T-Coded

CUSTOMIZE\*  
THE LINE SCAN  
ON YOUR  
OWN!



\* Not for UV versions

### RESULTS:

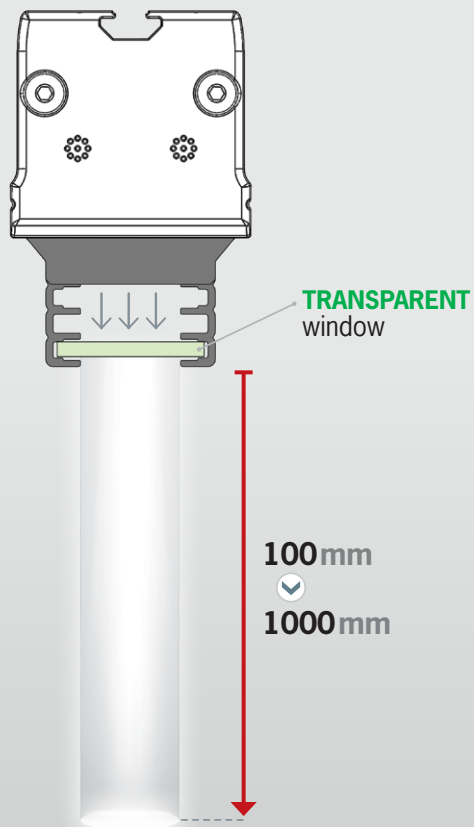




## FEATURE HIGHLIGHTS

### COLLIMATED (CL) CONFIGURATION

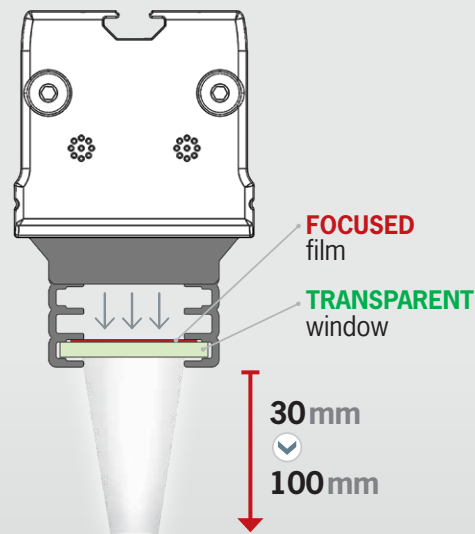
BASE



→ **PARALLEL** rays of light

### FOCUSED (FC) CONFIGURATION

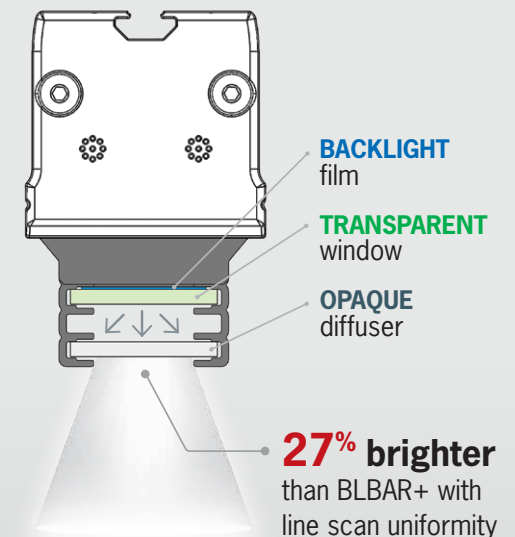
NOT FOR UV



→ **1.25x BRIGHTNESS** for **NEAR FIELD** applications (30-100mm)

### BACKLIGHT (BL) CONFIGURATION

NOT FOR UV

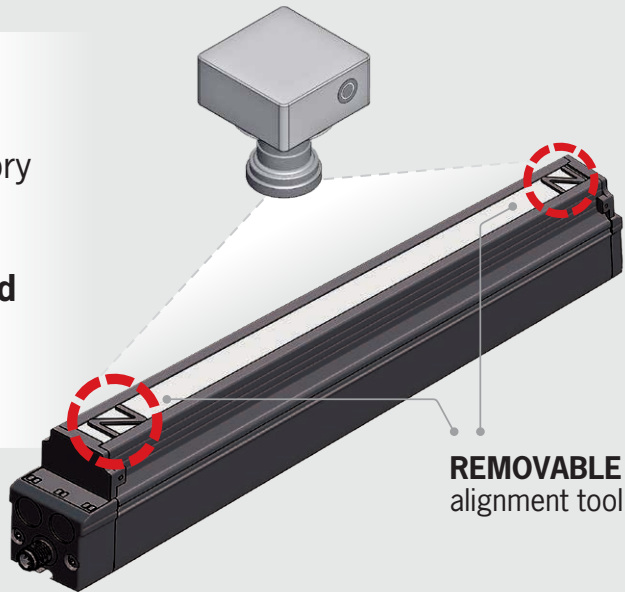


→ High **BRIGHTNESS** and high **UNIFORMITY** on lighting surface

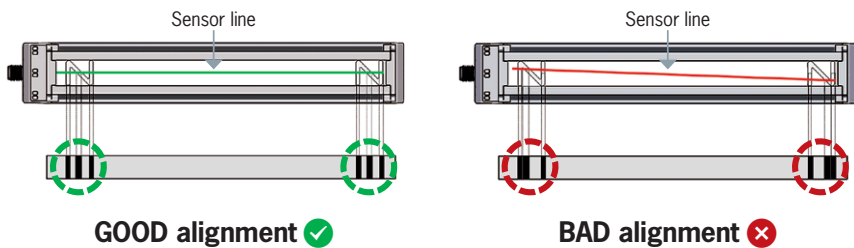
## FEATURE HIGHLIGHTS

### BACKLIGHT (BL) CONFIGURATION

→ **ALIGNMENT TOOL** accessory as standard:  
**3 equal spaced lines** when centered

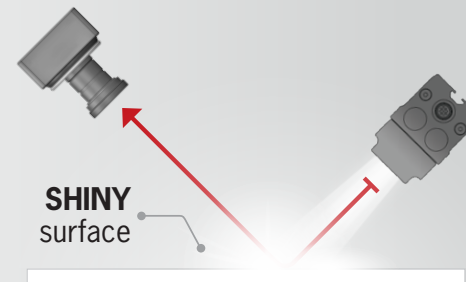


### CAMERA IMAGES:



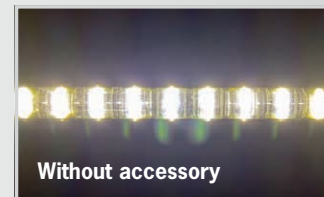
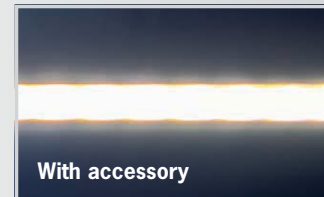
### REFLECTION MANAGEMENT (LM) ACCESSORY

for Collimated & Focused configurations



→ **Eliminate visible LED spots** when inspecting **shiny surfaces** at close working distances

### PRODUCT IMAGES:



### 2D CAMERA IMAGES:



## ORDER REFERENCES

| Electronics                 |   |
|-----------------------------|---|
| Drive Requirement           | TPL-CONTROL-1-M/S or other external constant current driver   |
| Internal Current Regulation | None  |
| Input Type                  | Passive LED load / unregulated LED array  |
| Nominal Forward Voltage     | See user manual for colour & current specific forward voltage   |
| Drive Current Range         | 350 mA continuous mode & up to 2.5A strobe mode per 125mm branch of 5 LEDs  |
| Peak Power                  | Depends on peak current. Approx. peak power = Vf × Ipeak  |
| Functioning Mode            | Output controlled by external driver current and/or PWM/strobe signal   |
| Rise and Fall Time          | Determined by external controller, cable length and drive conditions  |
| Wiring                      | 2x LED+ / 2x LED- (T-coded M12 connector)   |
| Protection                  | No internal over-current protection   |
| Optics                      |   |
| Colours                     | White WHI 5700K, Red 630nm, IR 850nm, Green 525nm, Blue 470nm, UV 405nm, UV 385nm, UV 365nm                       |
| Mechanical                  |   |
| Dimensions                  | Length: from 125mm to 1000mm / Width: 48mm / Height: 71mm   |
| Weight                      | 421g/125mm ±20%   |
| Housing materials           | Aluminium/PMMA/PC/Nickel-plated Brass   |
| Environment                 |   |
| Operating Temperature       | -10° to +40°C / 80% of humidity without condensation<br>No thermal shock (max temperature variation: 10°C in 24h) |
| Storage Temperature         | -20° to +60°C / 80% of humidity without condensation<br>No thermal shock (max temperature variation: 10°C in 24h) |
| IP Protection               | IP 50   |
| Information                 |   |
| Labels                      | RoHS / CE / UKCA / WEEE   |
| Country of Origin           | Made in France  |
| Tariff Number               | 94054990  |

### ESSENTIAL ELINE External Control:

| ELINE                                   | VERSION                      | LENGTH (mm) | COLOUR             | VERSION                |
|---|------------------------------|-------------|--------------------|------------------------|
|   | <b>EC</b> (External Control) | <b>125</b>  | <b>WHI</b> (white) | <b>CL</b> (Collimated) |
| <b>EXAMPLE:</b>                         |                              | <b>250</b>  | <b>630</b> (red)   | <b>FC</b> (Focused)    |
| ELINE External Control 125mm White LEDs |                              | <b>375</b>  | <b>525</b> (green) | <b>BL</b> (Backlight)  |
| Backlight version                       |                              | <b>500</b>  | <b>470</b> (blue)  | <b>CO</b> (Combo)      |
| → ELINE-EC-125-WHI-BL                   |                              | <b>625</b>  | <b>850</b> (IR)    |                        |
| <b>COMBO CONTENT:</b>                   |                              | <b>750</b>  | <b>365</b> (UV)    | Collimated (CL) ONLY   |
| Collimated base unit                    |                              | <b>875</b>  | <b>385</b> (UV)    |                        |
| + FC conversion kit                     |                              | <b>1000</b> | <b>405</b> (UV)    |                        |
| + BL conversion kit                     |                              |             |                    |                        |
| + Reflection Management LM film         |                              |             |                    |                        |

### TPL-CONTROL-1:

| TPL-CTRL | CHANNEL               | VERSION           | REFERENCES:                                |
|----------|-----------------------|-------------------|--|
|          | <b>1C</b> (1 channel) | <b>M</b> (Master) | • TPL-CONTROL-1 MASTER<br>→ TPL-CTRL-1-C-M |
|          |                       | <b>S</b> (Slave)  | • TPL-CONTROL-1 SLAVE<br>→ TPL-CTRL-1-C-S  |



### ACCESSORIES (not compatible with the UV versions)

Focusing kit: **FC-ELINE-xxx** (125 → 1000mm)

Backlight kit: **BL-ELINE-xxx** (125 → 1000mm)

Reflection Management accessory: **LM-ELINE-xxx** (125 → 1000mm)

Polariser accessory: **POL-ELINE-xxx** (125 → 1000mm)

### SWIVEL MOUNT

Ref: **SWIVEL-MOUNT**

