



## ■ USER SECURITY

**Do respect the power supply voltages and the connection terminals.  
Do not modify or dismantle all or part of the product.  
Do not connect or clean when power is on.  
Do not watch the lighting source directly, and follow the advice below :**



- If the workstation enables it, interpose a filter that will stop the lighting radiation under fixed or adjustable frame between the source and the operator.
- When these measures cannot be implemented, supply the operators with glasses (class 4) available for sale at TPL Vision.
- Forbid or limit the direct access to the lighting source (exposure into the radiation axis).
- Establish a security perimeter so as to prevent the operators from approaching the lighting source beyond the recommendations of the manufacturer, as for eye irritation is concerned.
- In any case, ensure that the chosen means properly reduce the exposition quantities (features of screens or glasses to be chosen, according to the wavelengths that the operators are exposed to).

## ■ EQUIPMENT MAINTENANCE

### CLEANING (when the product is switched off)

Please use a soft and dry cloth. Do not use any abrasive material.  
Do not use any cleaning solvent or aggressive chemical product.  
TPL Vision recommends to use isopropyl alcohol.

## ■ OPERATING CONDITIONS

Not for outdoor use.

Ref.UG-030501-D4, 2023/08 edition.

Features and presentations liable to changes without notice.



Brenchley House, School Road  
Charing, Kent TN27 0JW  
United Kingdom

**TPL VISION**  
IS AN **ISO 9001**  
CERTIFIED MANUFACTURER

+44 (0)1738 310 392

contact@tpl-vision.co.uk

[www.tpl-vision.com](http://www.tpl-vision.com)

## PREAMBLE

This notice includes all the advice and warnings that enables a correct set up and a safe use of the product. TPL Vision can not be responsible for the bad use of the notice. If so, TPL Vision cancels the guarantee's effects.



## ■ UNPACKING

Products are packed in our factory, using suitable materials for a safe transport through the usual means of transportation, in France and internationally. However, a damaged package must be reported to the carrier on delivery. Hand-written reservations must be indicated on the delivery order. Moreover, please send a letter or an email to TPL Vision as soon as possible (up to 24 hours after the delivery). If the transportation damage has not been stipulated on the delivery order and reported to TPL Vision in time, the package will not be taken back nor exchanged. To open the package, do not use any cutting blade to avoid damaging the product(s). Please use the delivered accessories, if needed (do not use any other products or equivalents to replace the delivered accessories).

## ■ RISK CLASS

The EN-62471 norm about lighting fluxes enables the classification of led lightings in 4 distinct groups, according to their hazardousness degree. Please find below an indicative table, recapitulating the classes of risk for our standard products.

Colour	Class	Risk
White WHI, Green 525 nm, Red 630 nm	0	none
Blue 470 nm, IR 850 nm	1	low

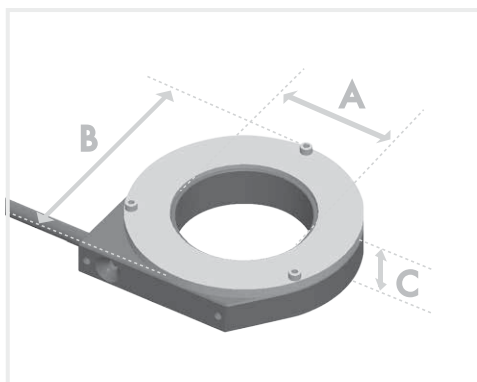
In all cases, TPL Vision recommends the use of **the protection glasses** that are listed in its catalog.

For more information about photobiological risks, do not hesitate to contact us.

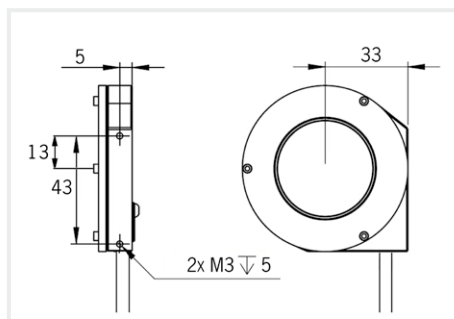


## DIMENSIONS

	Internal ø (mm)	External ø (mm)	Width (mm)
	A	B	C
TRING	38	66	15



## FIXING



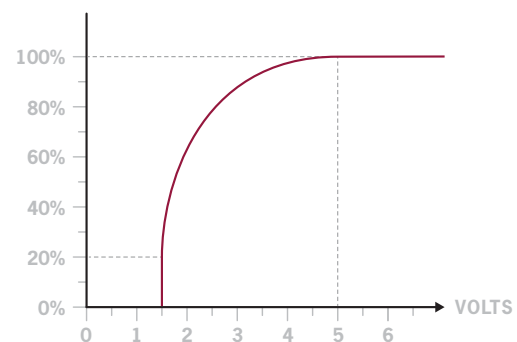
During the set up, the light has to be switched off and unplugged. Please use the fixing holes designed for that purpose (see scheme above).

We recommend the using of M3 screws (not supplied) with a tightening torque from 0.5 to 1.5 Nm.

We also recommend the use of a threadlocker (not supplied) to avoid any risk of loosening.

## CONTROL

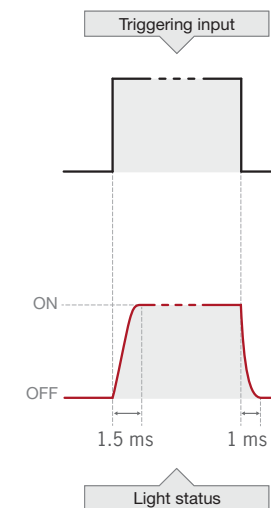
### DIMMING



**Potential dimming between 1.5 and 5 Volts.**

Above 5 Volts, the product reaches 100% of its lighting power.

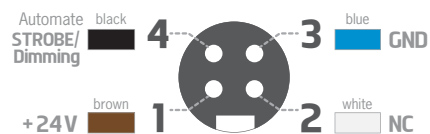
### STROBE MODE



**Power supply : 24V +/-10%**  
**Strobe input : 24V or 5V TTL**

## CONNECTION

### M12 4 male points



**In STROBE mode:**  
STROBE entry = 24V  
or 5V TTL -> light on

FRONT VIEW OF THE PRODUCT'S CONNECTOR

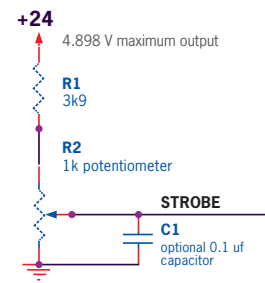
### STROBE MODE CONNECTION



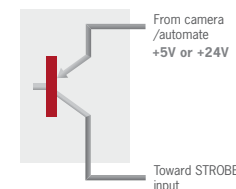
### CONTINUOUS MODE CONNECTION



### EXTERNAL DIMMING CONFIGURATION



### PNP-LIKE AUTOMATON OUTPUT



### NPN-LIKE AUTOMATON OUTPUT

