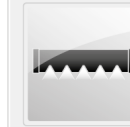




## CLASSIC XBAR RGB USER GUIDE

P4/4



## CLASSIC XBAR RGB USER GUIDE

### ■ USER SECURITY

**Do respect the power supply voltages and the connection terminals.  
Do not modify or dismantle all or part of the product.  
Do not connect or clean when power is on.  
Do not watch the lighting source directly, and follow the advice below :**



- If the workstation enables it, interpose a filter that will stop the lighting radiation under fixed or adjustable frame between the source and the operator.
- When these measures cannot be implemented, supply the operators with glasses (class 4) available for sale at TPL Vision.
- Forbid or limit the direct access to the lighting source (exposure into the radiation axis).
- Establish a security perimeter so as to prevent the operators from approaching the lighting source beyond the recommendations of the manufacturer, as for eye irritation is concerned.
- In any case, ensure that the chosen means properly reduce the exposition quantities (features of screens or glasses to be chosen, according to the wavelengths that the operators are exposed to).

### ■ EQUIPMENT MAINTENANCE

#### CLEANING (when the product is switched off)

Please use a soft and dry cloth. Do not use any abrasive material.  
Do not use any cleaning solvent or aggressive chemical product.  
TPL Vision recommends to use isopropyl alcohol.

### ■ IP 65 OPTION

If your product is equipped with a black seal on each side of the diffuser, then it can bear water splashing from any direction according to the international standard IEC 60529.

For maximum efficiency, it is highly recommended that you don't block the blowhole located on the rear side.



Brenchley House, School Road  
Charing, Kent TN27 0JW  
United Kingdom

**TPL VISION**  
IS AN **ISO 9001**  
CERTIFIED MANUFACTURER

+44 (0)1738 310 392

contact@tpl-vision.co.uk

[www.tpl-vision.com](http://www.tpl-vision.com)

Ref.UG-010701-B1, 2024/01 edition.

Features and presentations liable to changes without notice.

### PREAMBLE

This notice includes all the advice and warnings that enables a correct set up and a safe use of the product. TPL Vision can not be responsible for the bad use of the notice. If so, TPL Vision cancels the guarantee's effects.



### ■ UNPACKING

Products are packed in our factory, using suitable materials for a safe transport through the usual means of transportation, in France and internationally. However, a damaged package must be reported to the carrier on delivery. Hand-written reservations must be indicated on the delivery order. Moreover, please send a letter or an email to TPL Vision as soon as possible (up to 24 hours after the delivery). If the transportation damage has not been stipulated on the delivery order and reported to TPL Vision in time, the package will not be taken back nor exchanged. To open the package, do not use any cutting blade to avoid damaging the product(s). Please use the delivered accessories, if needed (do not use any other products or equivalents to replace the delivered accessories).

### ■ RISK CLASS

The EN-62471 norm about lighting fluxes enables the classification of led lightings in 4 distinct groups, according to their hazardousness degree. Please find below an indicative table, recapitulating the classes of risk for our standard products.

Colour	Class	Risk
Red 630 nm, Green 525 nm	0	none
Blue 470 nm	1	low

In all cases, TPL Vision recommends the use of **the protection glasses** that are listed in its catalog.

For more information about photobiological risks, do not hesitate to contact us.



# CLASSIC XBAR RGB USER GUIDE

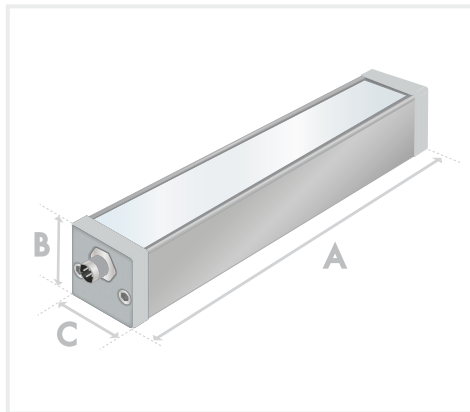
P2/4

P3/4



## DIMENSIONS

	Length (mm)	Height (mm)	Width (mm)
	A	B	C
XBAR RGB 5	222	47	47
XBAR RGB 10	372	47	47
XBAR RGB 15	522	47	47

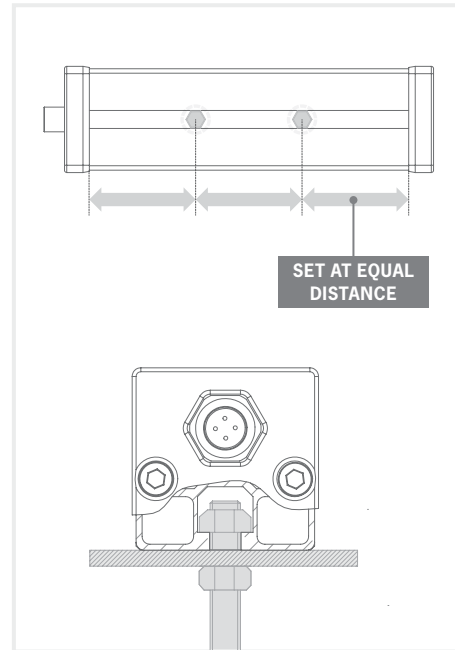


**IP65 Option:**  
add 3 mm to the length above mentioned.

## OPERATING CONDITIONS

Not for outdoor use.

## FIXING



During the set up, the light has to be switched off and unplugged. Please use the 2 delivered nuts and insert them in the groove located in the back of the lighting. The lighting will be better fixed if you spread the attachment points as indicated on the scheme above.

We recommend the using of M8 screws (not supplied) with a tightening torque from 0.5 to 1.5 Nm. We also recommend the use of a threadlocker (not supplied) to avoid any risk of loosening.

## CONNECTION AND STROBE MODE FUNCTIONING

